

ISL

ISOLIMITER

SINGLE PHASE 7.5 KVA - 100 KVA



AMETEK[®]
SOLIDSTATE CONTROLS

ISL

Single Phase Isolimiter

7.5 kVA - 100 kVA

The ISL Series Ferroresonant regulating transformers are housed in a single system enclosure. These units are designed to accept a widely varying AC input voltage, while simultaneously producing a well regulated, filtered AC output. ISL Series units have a unique characteristic of being short circuit protected so that overloads and short circuits on the secondary side are not reflected back to the primary.

- High reliability - Exceeds 160,000 hours (20 years) MTBF - useful life over 35 years
- Constructed with entirely passive magnetic components
- Low Audible Noise <65 dBA
- High Efficiency
- 1/4 cycle output ride-through
- Compatible with non-linear loads
- Industrial grade - built to operate in extreme environmental conditions
- For use with Inverter/UPS systems, or in stand alone operations



Model	kVA	Input Amps*				Input Circuit Breaker Ampacity				Output Amps*			Heat Loss BTU/Hr	Dimensions – Inches (mm)	Weight LBs (kg)
		120	480	220	380	120	480	220	380	120	480	220			
ISL1007	7.5	72	18	40	23	125	30	60	40	62	16	34	3824	57 x 29 x 28 (1445 x 737 x 711)	500 (227)
ISL1010	10	95	23	52	30	150	40	80	50	83	21	45	4654	57 x 29 x 28 (1445 x 737 x 711)	525 (238)
ISL1015	15	142	35	77	45	225	60	125	70	125	31	68	6979	57 x 29 x 28 (1445 x 737 x 711)	625 (284)
ISL1020	20	187	46	102	59	300	70	150	90	167	42	90	8434	78 x 29 x 32 (1981 x 737 x 813)	850 (386)
ISL1025	25	234	58	128	74	350	90	200	125	208	52	114	10542	78 x 29 x 32 (1981 x 737 x 813)	975 (442)
ISL1030	30	278	70	151	88	450	125	225	150	250	63	136	11373	78 x 29 x 32 (1981 x 737 x 813)	1150 (522)
ISL1037	37.5	343	87	187	108	600	125	300	175	312	78	170	12654	78 x 29 x 32 (1981 x 737 x 813)	1400 (635)
ISL1050	50	458	116	250	145	700	175	400	225	416	104	227	16872	85 x 56 x 36 (2159 x 1422 x 914)	1700 (771)
ISL1075	75	-----	177	387	224	-----	300	600	400	625	156	341	34895	85 x 56 x 36 (2159 x 1422 x 914)	3750 (1701)
ISL1100	100	-----	231	505	292	-----	350	800	500	833	207	455	37911	85 x 56 x 36 (2159 x 1422 x 914)	4550 (2064)

*At Nominal Line
Certain optional features and/or combinations may require larger cabinets. Contact Factory. Image Shown with optional meters and breakers

General Specifications

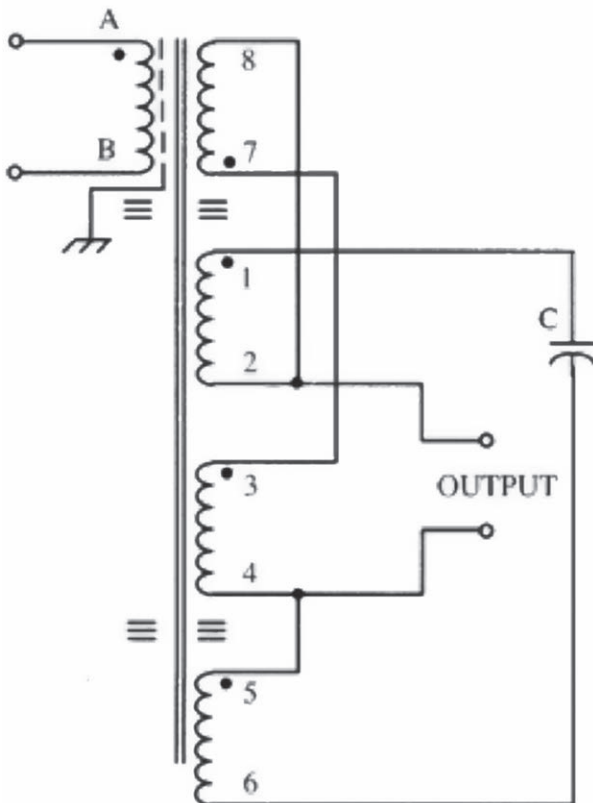
Isolimiter		Environmental	
AC Input		Ambient Temperature	0°C (32°F to 104°F)
Voltage	120, 220, 380, 480 1-phase	Relative Humidity	0-95% non-condensing
Range	- 15% to +10%	Operating Altitude	0 to 3000 meters (10,000 ft.)
Frequency*	60 Hz ±1%	Audible Noise:	65-72dB (A) @1.5m typical Addition of drip shield may increase the noise by 1-3dB (A)
		Cooling	Convection <37.5 kVA Forced Air > 50 kVA
AC Output			
Voltage	120, 220, 380, 480 VAC 1-Phase	Cable Entry	Top or Bottom
Regulation	+ 2%		
Frequency*	60	Efficiency	> 88% at full load
Load Power Factor	0.8 to 1.0	Standard Features	
Harmonic Distortion	5% (or less) THD	Circuit Breakers	AC Input
Overload	150% to 200% fault clearing	Indicators and Alarms**	Fan Failure (>50kVA)
Also available in 120/240 VAC 3-wire, 60 Hz and 600 VAC. Consult factory.		Optional Features	
*50Hz available, contact factory		Circuit Breakers	AC Output
**Alarms provide one SPDT contact rated for 3 Amps at 120 VAC		Meters	Voltmeters, Ammeters, and Frequency Meter
		Indicators & Alarms**	Over Temperature, Low AC Output, High AC Output, AC Output Overload

Transformer

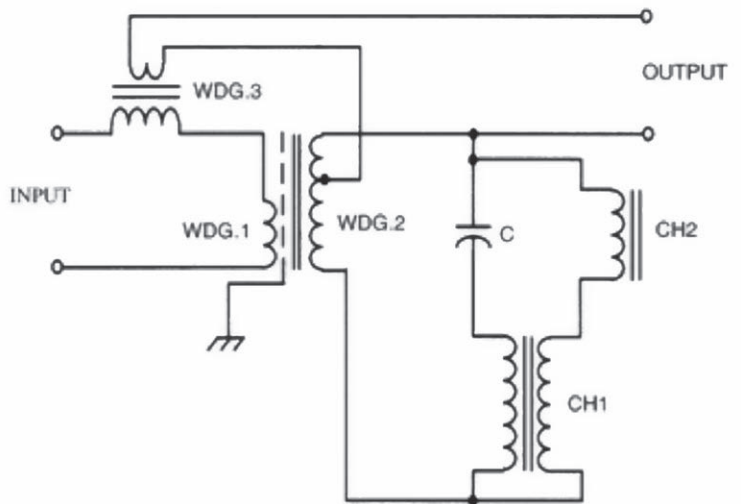
Noise Attenuation	120dB common mode 80 dB transverse mode	Construction	All copper windings, electrostatic shield
-------------------	--	--------------	---

Isolimiter Block Diagrams

< 50 kVA



> 75 kVA





THE PURPOSE OF OUR BUSINESS IS TO PROVIDE CONTINUITY OF ELECTRICAL POWER
TO KEEP BUSINESSES IN BUSINESS.

All Facilities are ISO 9001 Certified

World Headquarters

875 Dearborn Drive
Columbus, Ohio 43085
Phone: +1-614-846-7500
Toll Free: +1-800-635-7300
Fax: +1-614-885-3990

Mexico Headquarters

Avenida Ejercito Nacional
Number 423 2o. Colonia Granada
C.P. 11520 Miguel Hidalgo,
Mexico, D.F.
Phone: +52-55-5250-1132
Fax: +52-55-5250-7981

Asia Pacific Headquarters

AMETEK Singapore Office
43 Changi South Ave. 2 #04-01
Singapore 486164
Phone: +65-6484-2388
Fax: +65-6481-6588

Brazil Headquarters

AMETEK do Brasil Ltda
Rod. Eng° Ermênio de Oliveira
Penteado
(SP75) - Km 57, Barrio Tombadouro
Indaiatuba - SP - Brasil, 13337-300
Phone: +55-16-2107-4100

Middle East Offices

Dubai
P.O.Box 337164
Office 2004 , X2 Building
Jumeirah Lakes Towers JLT
Dubai – UAE
Phone: +971544300331

Saudi Arabia
King Khalid Street, ATCO Building
Dammam, Saudi Arabia
Phone: +966 13 833 2339 ext. 654
Direct: +966 830 5482
Cell: +966 55 888 7860

India Headquarters

AMETEK Instruments India
Private Limited
Plot 148, EPIP Zone Phase 2
Featherlite Tech Park, 1st Floor
Whitefield, Bangalore - 560066
Karnataka, INDIA
Phone: +91 70222 53258
Fax: +91 80 6782 3232

REV 7-2016

VISIT OUR WEBSITES:

English: www.solidstatecontrolsinc.com

Nuclear: www.nuclearups.com

Spanish: www.solidstatecontrolsinc-esp.com

Russian: www.solidstatecontrolsinc-ru.com

Chinese: www.solidstatecontrolsinc-chn.com

Brazilian Portuguese: www.solidstatecontrolsinc-bz.com